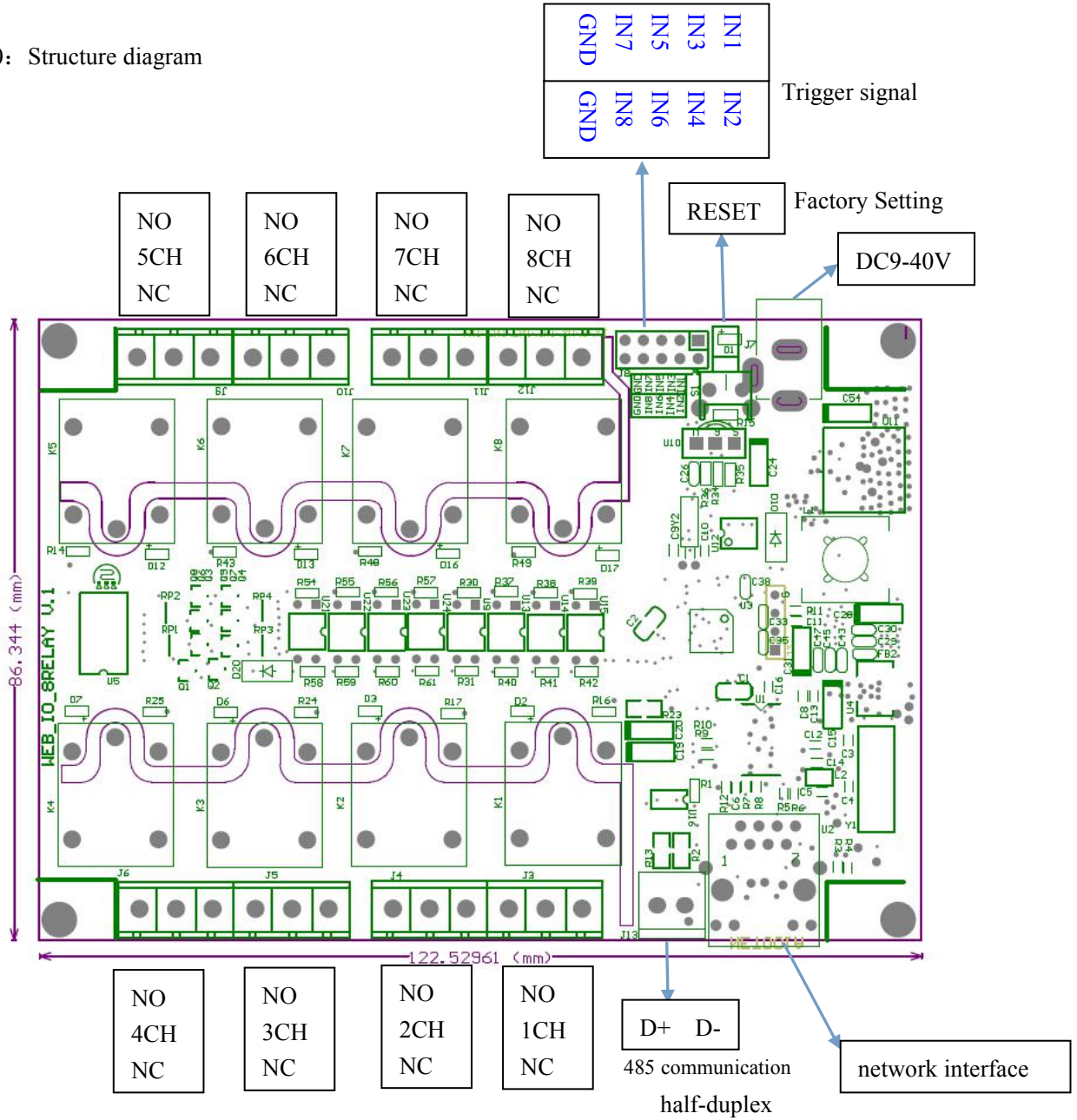


# 8ch Relay(WEB)

0: Structure diagram



1: Trigger signal input:

IN1-IN8 has two ways to be inputted: A: Non-contact signal, release after IN ground

B: latch signal, IN ground can control the corresponding relay switch

2: Serial port communication protocol:

1CH OPEN: FD 02 20 01 01 5D

1CH COLSE: FD 02 20 01 00 5D

2CH OPEN: FD 02 20 02 01 5D

2CH COLSE: FD 02 20 02 00 5D  
3CH OPEN: FD 02 20 03 01 5D  
3CH COLSE: FD 02 20 03 00 5D、  
4CH OPEN: FD 02 20 04 01 5D  
4CH COLSE: FD 02 20 04 00 5D  
5CH OPEN: FD 02 20 05 01 5D  
5CH COLSE: FD 02 20 05 00 5D  
6CH OPEN: FD 02 20 06 01 5D  
6CH COLSE: FD 02 20 06 00 5D  
7CH OPEN: FD 02 20 07 01 5D  
7CH COLSE: FD 02 20 07 00 5D  
8CH OPEN: FD 02 20 08 01 5D  
8CH COLSE: FD 02 20 08 00 5D

1-8CH OPEN: FD 02 20 F8 88 5D  
1-8CH COLSE: FD 02 20 F8 80 5D

Back: FB 21 55 xx XX FF : xx XX eac byte means 1ch high byte corresponding to the 16ch,  
low byte corresponding to 1ch

3: Network controller port:

IP: 192.168.1.4  
port number: 30000

Enter <http://192.168.1.4/30000> in the browser's address bar, and then you will be able to control the corresponding switch.

4 Long press “RESET” till the light is out. Then it will restore the factory default IP and port number.