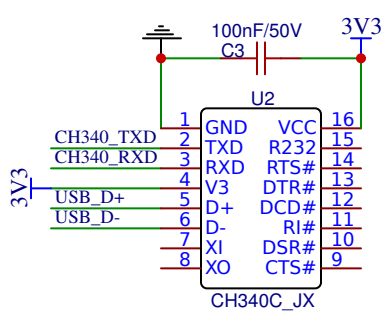
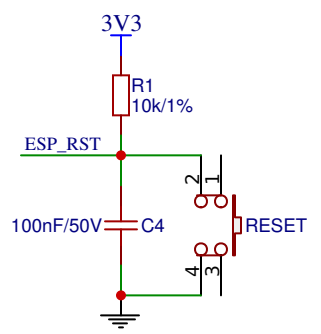


Power

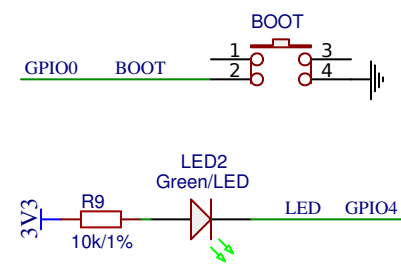
Power_LED



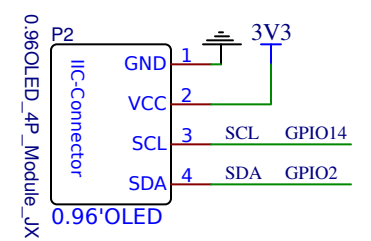
USB-TTL



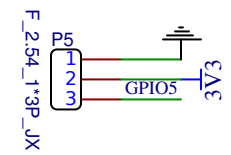
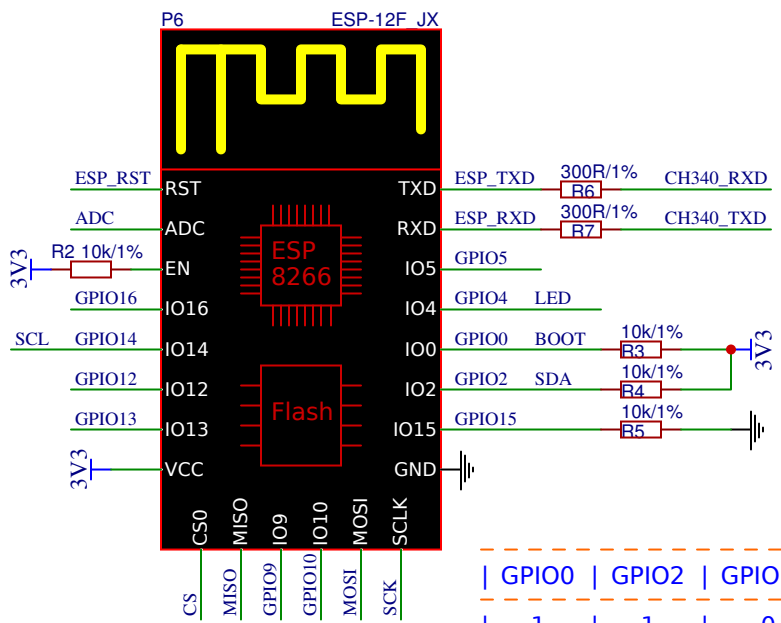
Reset circuit



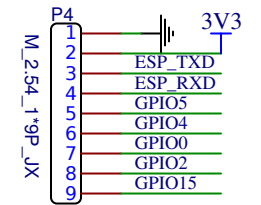
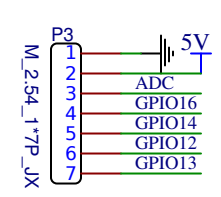
Button/indicator



OLED



Peripheral interface



extension port

GPIO0	GPIO2	GPIO15	8266模式
1	1	0	Program
0	1	0	operation mode
			Serial
			download mode

TITLE: 物联网开发板 ESP8266 V1.0

Date: 2018-4-26

EasyEDA V4.12.34

REV: 1.0

Sheet: 1/1

Drawn By: jixin003

