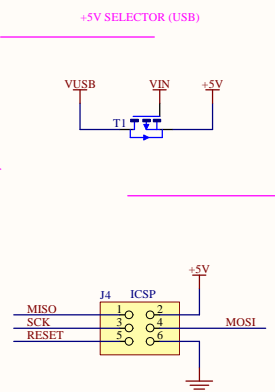
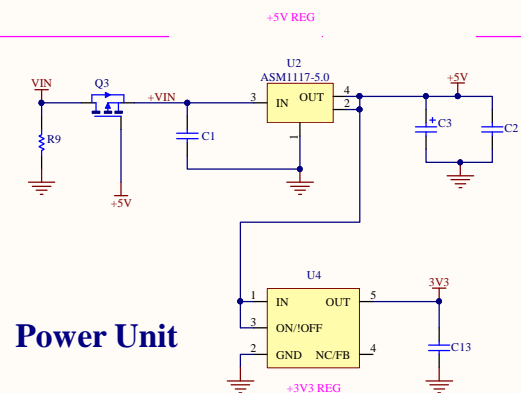


MCU Unit



**Micro ATmega32U4
(5V, 16MHz)**