

Remote Controller Manual

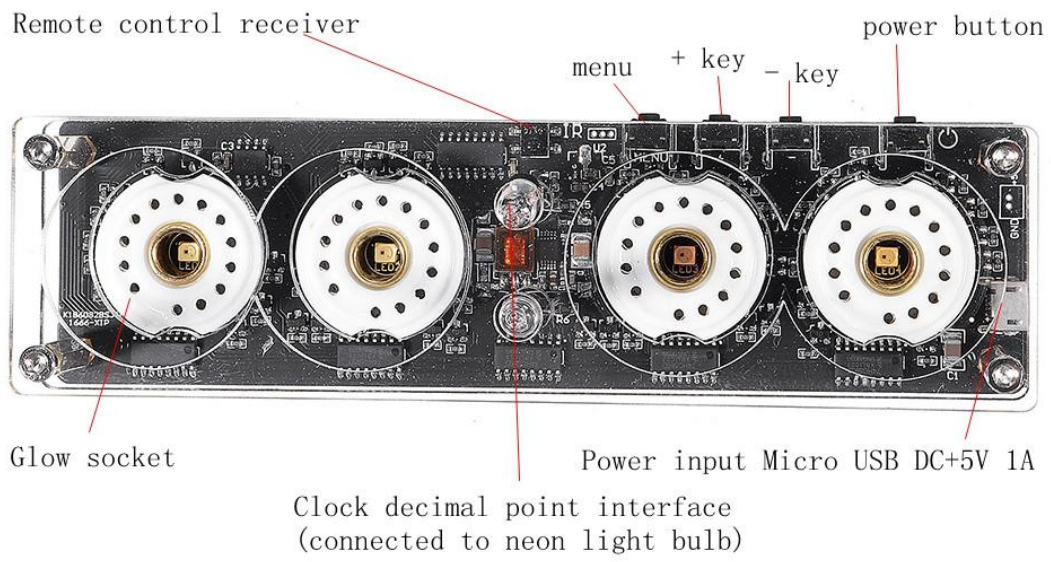
Instructions	Function	Show	Function Description
Press the key	Switch machine		Switch machine
Press the adjust-key	Antivirus 1 time	00-99 00-99	Manual antivirus 1 time
Press the adjustment + key	LED light color switch		LED lights red-green-blue-yellow-cyan-purple-orange-white-off-gradient
Press the menu key	Switch display mode	Second week	Displays the second day of the week
		20 years	Show year
		Month Day	Display month day
		Hour: minute	Show current time
Long press menu key for 2 seconds to enter setting mode	Set mode		Enter setting mode
(After entering the setting mode) Short press the menu button once	Year setting	20 years	Set the year by (adjustment + key) or (adjustment-key)
(After entering the setting mode) Short press the menu button twice	Month setting	Month Day	Set the month through (adjustment + key) or (adjustment-key)
(After entering the setting mode) Short press the menu button 3 times	Day setting	Month Day	Set the day by (adjustment + key) or (adjustment-key)
(After entering the setting mode) Short press the menu button 4 times	Hour setting	Hour: minute	Set the hour by (adjustment + key) or (adjustment-key)
(After entering the setting mode) Short press the menu key 5 times	Minute setting	Hour: minute	Set the minutes by (adjustment + key) or (adjustment-key)
(After entering the setting mode) Short press the menu button 6 times	Second setting	Second week	Set the second by (adjustment + key) or (adjustment-key)
(After entering the setting mode) Short press the menu button 7 times	Week setting	Second week	Set the day of the week through (adjustment + key) or (adjustment-key)
(After entering the setting mode) Short press the menu button 8 times	Antivirus time setting	1 00	Turn off the automatic antivirus function
		1 01	Automatic antivirus every 1 minute
		1 05	Automatic antivirus every 5 minutes
		1 10	Automatic antivirus every 10 minutes
		1 20	Automatic antivirus every 20 minutes
		1 30	Automatic antivirus every 30 minutes
(After entering the setting mode) Short press the menu button 9 times	Shutdown time setting	2 00	Turn off automatic shutdown
		2 01	1 minute automatic shutdown
		2 02	Automatic shutdown in 2 minutes
		2 05	5 minutes automatic shutdown
		2 10	Automatic shutdown in 10 minutes
		2 30	Automatic shutdown in 30 minutes
		2 60	60 minutes automatic shutdown
(After entering the setting mode) Short press the menu button 10 times	12 hours/24 hours switch	3 12	Set the time format by (adjust + key) or (adjust-key)
		3 24	
(After entering the setting mode) Short press the menu button 11 times	Hour 10th hidden	4 0	Not hidden
		4 1	Hide

(After entering the setting mode) Short press the menu key 12 times	Time decimal setting	5 0	Time decimal flashes
		5 1	Time decimal does not flash
(After entering the setting mode) Short press the menu button 13 times	Automatic power-on hour setting	Hour and minute	Set by (adjust + key) or (adjust-key). Display 00:00 to turn off the automatic power-on function
(After entering the setting mode) Short press the menu button 14 times	Automatic power-on minute setting	Hour and minute	
(After entering the setting mode) Short press the menu button 15 times	Automatic shutdown hour setting	Hour and minute	Set by (adjust + key) or (adjust-key). Display 00:00 to turn off the automatic shutdown function
(After entering the setting mode) Short press the menu button 16 times	Automatic shutdown minute setting	Hour and minute	
(After entering the setting mode) Short press the menu button 17 times to exit the setting mode	Return to display the current time	Hour and minute	Return to display the current time

Enter setting/exit setting mode



Quickly press 5 times to restore factory settings



Note: This glow clock supports (QS30-1, SZ-8, SZ3-1, ZM1020, Z560M) and other types of glow tubes